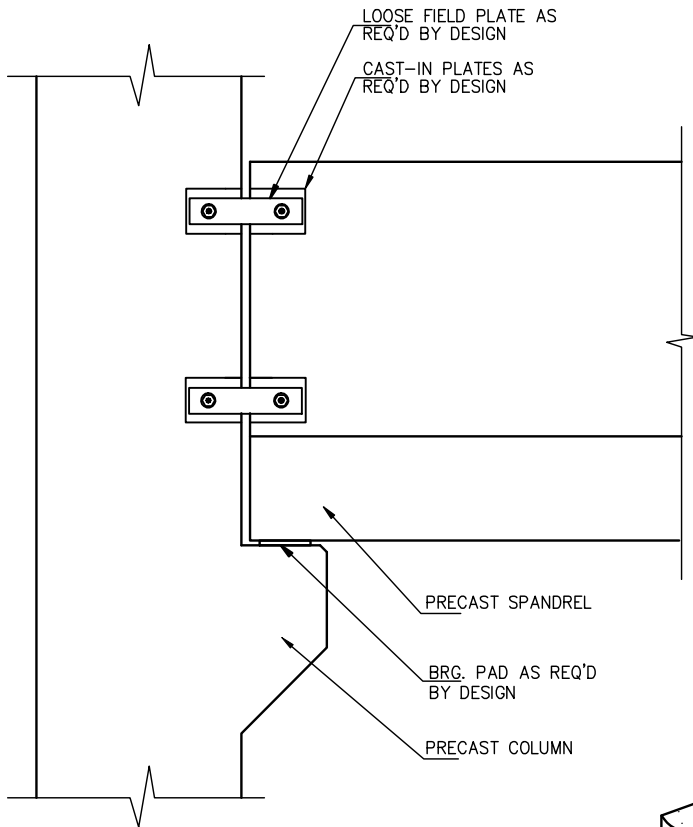


Spandrel to Column Connection



LOOSE PLATE WELDED FOR MOMENT CONNECTION AS REQ'D BY DESIGN

