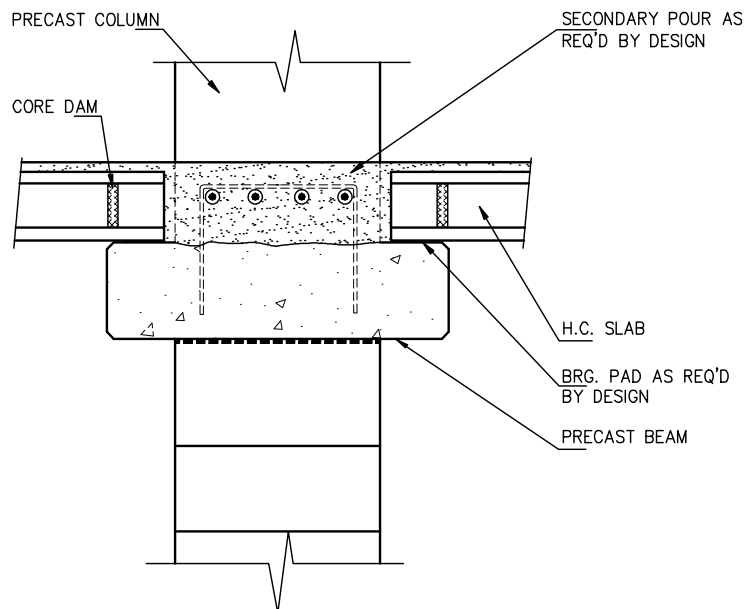
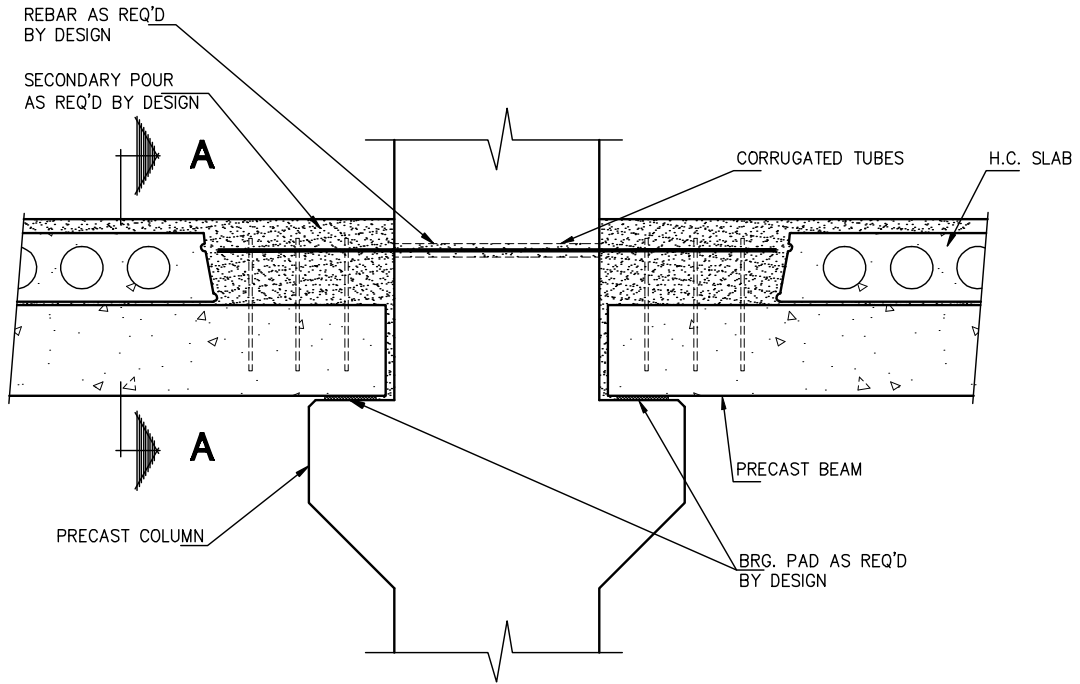


Beam to Column Connection (apartment / office building)



SECTION: A-A